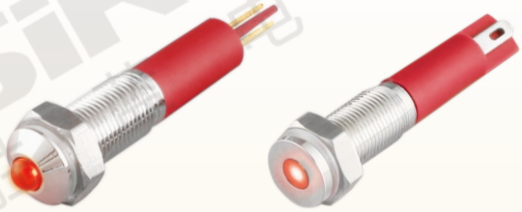


Φ6

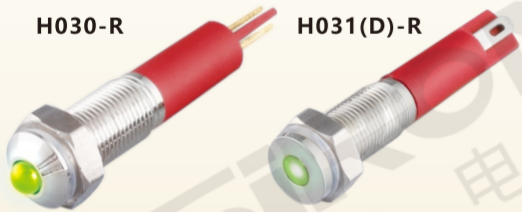
不锈钢指示灯 H030/H031系列

Φ6 ステンレス製ランプ
Φ6 Stainless steel indicator light



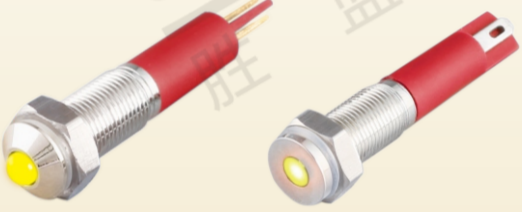
H030-R

H031(D)-R



H030-G

H031(D)-G



H030-Y

H031(D)-Y



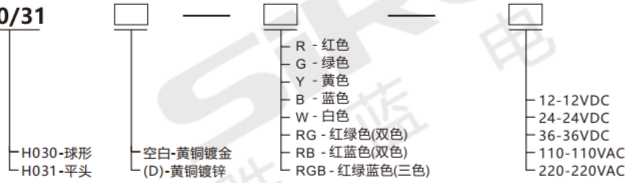
询问胜蓝 0755-8886 0059 当日出货

特点 Features

- * 金属指示灯外壳采用金属材质，增强美观性，外观颜色可多样化；
- * 头部具备防尘防水性能、防爆性能及防腐性能，其防水性能IP67，防爆性能IK08；
- * 若采用焊接连接时，建议选择合适的电烙铁，加快焊接速度，使用30W一下电烙铁320°C时2秒内完成焊接；
- * 金属兰姆的ケースは金属製を採用している、美観性を強化して、外觀の色は多様化できる；
- * 防塵防水性能、防爆性能及び防食性能を備えた頭部の防水性能IP67、防爆性能IK08；
- * 溶接接続を採用する場合、適切なアイロンを選択し、溶接速度を速め、使用することを提案するちょっと30w電烙鉄320°Cの時2秒以内に熔接；
- * Metal lamp housing is made of metal, which can enhance its beauty and diversify its appearance color;
- * The head is dustproof and waterproof, explosion-proof and corrosion-proof, and its waterproof property is IP67, Explosion-proof performance IK08;
- * If welding connection is adopted, it is recommended to choose an appropriate electric soldering iron to speed up the welding30W soldering iron completed within 2 seconds at 320°C;

关于选型 About selection

H030/31



注: H030-R-24 表示 球形 焊脚材质黄铜镀金 亮红灯 24V按钮;
H031(D)-R-24 表示 平头 焊脚材质黄铜镀锌 亮红灯 24V按钮;

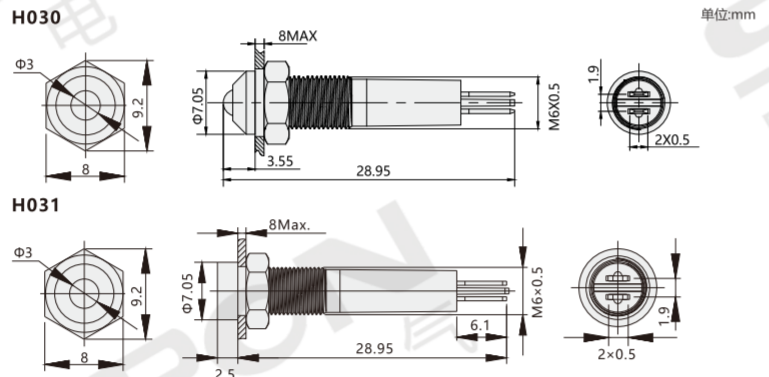
选型参考 Type selection reference

| | |
|------------------------------------|---|
| 球形指示灯 Spherical indicator light | H030/H030(D)-R/G/Y/B/W/RG/RB/RGB-12/24/36/110/220 |
| 平头指示灯 Flat head indicator light | H031/H031(D)-R/G/Y/B/W/RG/RB/RGB-12/24/36/110/220 |

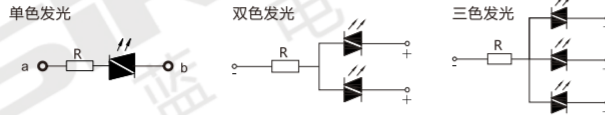
技术特性 Technical Features

| | | | | | | |
|-------------------------------------|------------------|-----------------|----------|-----------|------------|--|
| 焊脚材质 Foot material | 黄铜镀金 | H030 H031 | | | | |
| | 黄铜镀锌 | H030(D) H031(D) | | | | |
| 带灯电压 With lamp voltage | 12V | 24V | 36V | 110V | 220V | |
| 连接类型 Connection type | 接线插片 (焊脚) | | | | | |
| 额定电流 Rated current | 约20mA about 20mA | | | | | |
| 环境温度 The environment temperature | -40°C ~ +85°C | | | | | |
| 绝缘电阻 Insulation resistance | ≥100MΩ | | | | | |
| 介电强度 Dielectric strength | AC1000V | | | | | |
| 灯珠类型 Lamp bead types | 双向LED灯珠(交直流通用) | | | | | |
| 工作电压 Working voltage | 10.8-13.2VDC | 20.5-26.4VDC | 28-40VDC | 99-121VDC | 200-255VDC | |
| 工作电流 Working current | 7-<20mA | 7-<20mA | 6-<20mA | 6mA | 1.8mA-3mA | |

外形图 Dimensions



灯珠等效电路



注: 采用交直流通用的LED灯珠, 接线端子无正负极区分, 灯珠内置保护电阻, 不需外接。
双色发光及三色发光, 为共负极, 其他颜色以及共正极可按照客户要求定制, 定制请联系销售人员。

安装示意 Install the schematic

